

SERIES 25

SMALL AND INCREDIBLE!

100% Reversible

Entirely made of special steel alloy increases the resistance of the electric strike to 8.000 N.

A symmetric construction with radial adjustable keeper and electronic protection that provide versatility to your installation.



25

Maximum resistance

Ideal for heavy and high-security doors!

A larger span of the electric strike ensures instant blocking of heavier doors. The huge selection of voltages allows a quickly aperture with only one function of the energy consume. The series 25 has the highest side-load of all models.



Technical characteristics

Break-in resistance (keeper's pressure)	8.000 N
Dynamic strength (door impact)	4.450 N
Endurance rating <input type="checkbox"/> (cycles with no side-load)	200.000
Temperature	- 25 °C to + 70 °C
Complies with the directive: 2014/30/UE and 2011/65/UE	

Technical characteristics 25

Endurance rating <input checked="" type="checkbox"/> (cycles with 120 N side-load on AC)	200.000
--	---------

Complies with EN14846:

Fail-secure: 3 X 3 0 0 L 0 0 0

Fail-safe: 3 C 3 0 0 L 0 0 0

Fail-secure with micro: 3 X 3 0 0 L 0 1 0

Fail-safe with micro: 3 C 3 0 0 L 0 1 0

Technical characteristics 25E

Endurance rating <input checked="" type="checkbox"/> (cycles with 250 N side-load on AC/DC)	200.000
---	---------

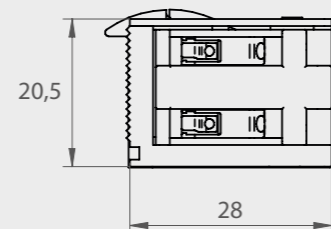
Complies with EN14846:

Fail-secure: 3 Y 3 0 0 L 0 0 0

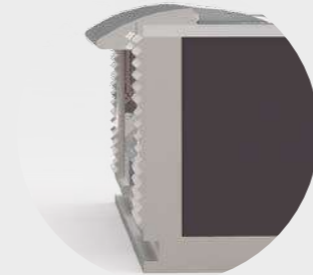
Fail-safe: 3 C 3 0 0 L 0 0 0

Fail-secure with micro: 3 Y 3 0 0 L 0 1 0

Fail-safe with micro: 3 C 3 0 0 L 0 1 0



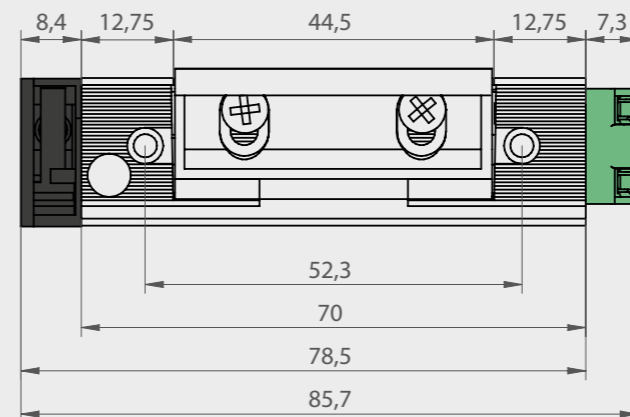
CURVES ARE BEAUTIFUL
The radial keeper turns inside the mechanisms box, which means you won't need to cut the doorframe.



DEEP AND ADJUSTABLE
For a better adjustment, the depth has been increased up to 6 mm for the adjustable keeper, with a displacement of 3 mm for an accurate adjustment for the door.



AUTOMATIC SYSTEM
The joint of the keeper and the automatic switch removes the critical spaces and offers a better contact with the latch of the door.



25E

Smart management

Electronics makes us universal

An electronic microchip is responsible for automatically managing any voltage from 6 - 28 V AC/DC 100%. It also incorporates a temperature detection system to prevent the mechanism from overheating reaching maximum temperatures of 40°C. The internal programming achieves a greater capacity of lateral preload increasing it up to 400 N.

UP TO
400 N
SIDE - LOAD
AC - DC

ELECTRONIC
MICROCHIP

6 - 28 V
AC / DC
100%



NEW ITEM NUMBERS (EXAMPLE)

Model	Function	Coil	Keeper	Cover
25E	0	Z	1	0

ITEM NUMBERS AND FEATURES

Functions

25

25E

0. Fail-secure



250B10
250D10
250E10
250F10
250H10
250S10



25E0Z10

2. Hold-open



252B10
252D10
252E10
252F10
252H10
252S10



25E2Z10

4. Fail-safe



254E10
254F10



25E4Z10

6. Fail-secure with monitoring



256B10
256D10
256E10
256F10
256H10
256S10



25E6Z10

8. Fail-safe with monitoring



258E10
258F10



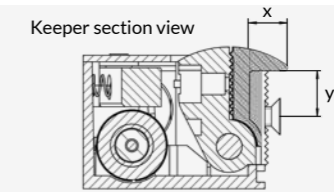
25E8Z10

Coils

Electrical characteristics

	B	D	E	F	H	S	Z
Electrical data	6-14V AC/DC	24V AC	12V DC	24V DC	8-14V AC/DC	8V DC	6-28V AC/DC
Continuous duty	< 1 min	< 1 min	ED 100%	ED 100%	< 1 min	ED 100%	ED 100%
Transient Voltage Suppressor (TVS)	-	-	Si	Si	-	Si	Si
Rated resistance	8,5 Ω	50 Ω	50 Ω	185 Ω	14 Ω	25 Ω	6,5 Ω
Current consumption AC	0,5 A 6V 1 A 12V 1,16 A 14V	0,34 A	-	-	0,4 A 8V 0,61 A 12V 0,71 A 14V	-	Initial: 0,18 A .. 6V 0,39 A .. 12V 0,24 A .. 24V Maintenance: 0,10 A .. 6V 0,21 A .. 12V 0,11 A .. 24V
Current consumption DC (stabilized)	0,71 A 6V 1,4 A 12V 1,65 A 14V	-	0,24 A	0,13 A	0,57 A 8V 0,86 A 12V 1 A 14V	0,32 A	Initial: 0,16 A .. 6V 0,34 A .. 12V 0,17 A .. 24V Maintenance: 0,09 A .. 6V 0,14 A .. 12V 0,07 A .. 24V
Maximum side-load on AC	12V - 200 N	120 N	-	-	120 N	-	6 - 28V - 400 N
Maximum side-load on DC (stabilized)	12V - 10 N	-	10 N	10 N	10 N	10 N	6 - 28V - 400 N
Compatible coils for:	25	25	25	25	25	25	25E

Our special Keepers and Covers ensures the best fitting possible



Dimension X
Keeper depth

Dimension Y
Keeper's adjustability from minimum to maximum

Section view

Keeper



Cover

