

# ELECTRIC CONTACTS

## Series DDC

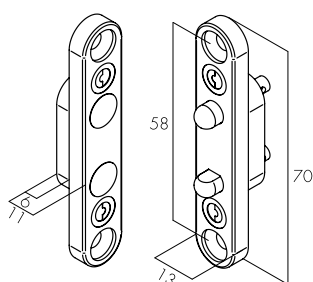
Our high-quality door contacts are designed to provide **hidden electric connection between the lock and the power supply** (basically from the door to the door frame). They need to be mortise mounted where the hinges are.

The DDC 002 contact is suggested for simple installations where the connection is intermittent. Its two brass poles are nickel-plated and the plastic parts can be either black or white.

The DDC 004 contact is ideal for permanent connection and on sliding doors. Its four brass poles are silver-plated and the plastic parts are white.

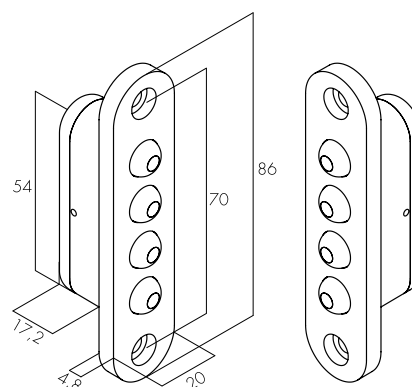


## Electrical features and dimensions



### DDC 002

- ⚡ Max. switching voltage 24V AC/DC
- Max. switching current 1,5 A



### DDC 004

- ⚡ Max. switching voltage 24V AC/DC
- Max. switching current 0,5 A