

# MINI



## Series ME

The mini electromagnetic locks can be integrated into the most sophisticated interior decorations, to satisfy our most creative customers.

Being **the thinnest on the market** (only 30 mm), they can fit most door frames, offering at the same time a high holding force and a very high sensitivity. Any attempt of manipulation will immediately activate the in built monitoring.

In order to certify our quality, O&C tests every mini electromagnetic lock individually and attaches the test results to the packaging.

Also available in waterproof, the ideal solution for exterior doors and gates.

## Technical features

- Dual voltage 12/24V DC
- Reed monitoring (open/closed)
- Low power consumption
- Electronic protection
- Guaranteed 3 years

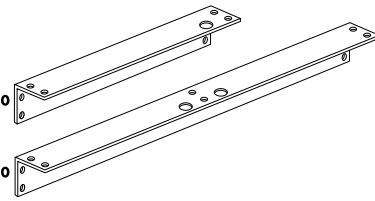
## Certification ME 500/510

\* IP65 (protected against dust and water)

# References and features

MBE 800 included with ME 400/410/420

MBE 805 included with ME 600/610/620

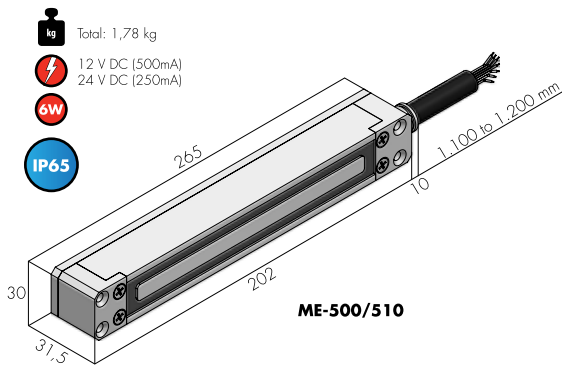
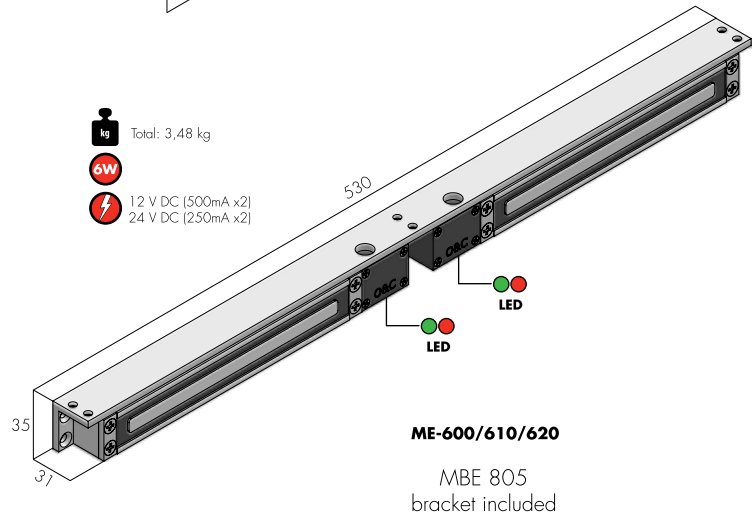
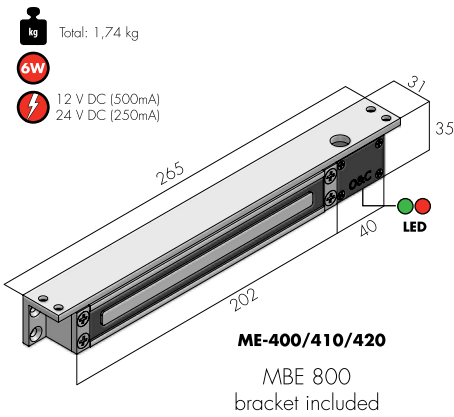
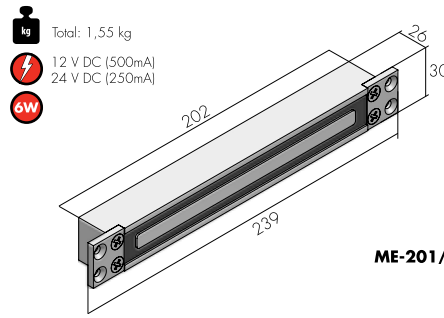
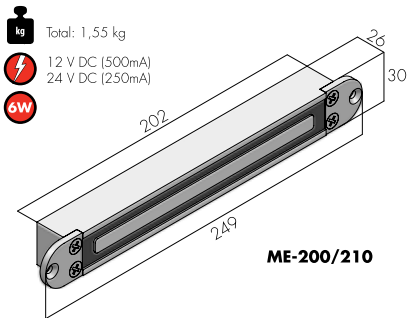


Holding force	Dual voltage 12/24 Vdc	Mortise	Rim	LED	Monitoring	L	Z	U	Bracket cover for (optional):		Mounting kit for RF fire doors (optional)	Mounting kit for sliding doors (optional)	References
						Outward opening doors	Inward opening doors	Glass doors	FSC 821	FSC 822	MRF 810	MSA 803	
2.800 N	•	•										•	ME 200
2.800 N	•	•										•	ME 201
2.800 N	•	•			•							•	ME 210
2.800 N	•	•			•							•	ME 211
2.800 N	•	•	•		•	MBE 806	MBA 801/802	MHA 804	•	•	•		ME 400
2.800 N	•	•	•		•	MBE 806	MBA 801/802	MHA 804	•	•	•		ME 410
2.800 N	•	•	•	•	•	MBE 806	MBA 801/802	MHA 804	•	•	•		ME 420
2.500 N	•	•	•			MBA 806/808	MBA 801/802						ME 500
2.500 N	•	•	•		•	MBA 806/808	MBA 801/802						ME 510
2.800 N x 2	•	•	•			MBE 807	MBA 801/802*	MHA 804*	•	•	•		ME 600
2.800 N x 2	•	•	•		•	MBE 807	MBA 801/802*	MHA 804*	•	•	•		ME 610
2.800 N x 2	•	•	•	•	•	MBE 807	MBA 801/802*	MHA 804*	•	•	•		ME 620

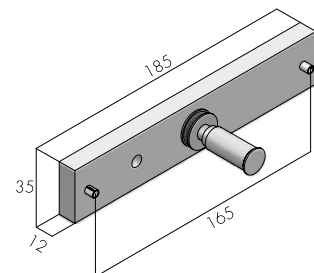
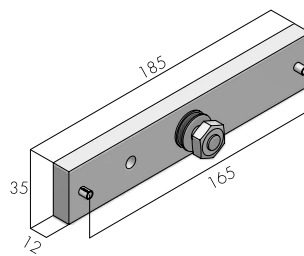
IP 65

IP 65

\* Remember to order one unit for each electromagnetic lock!



Counterplate mounting kit included



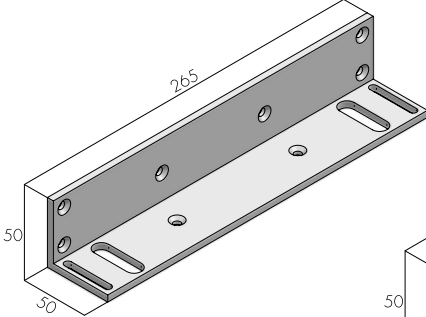
**WATERPROOF**

Magnetic locks

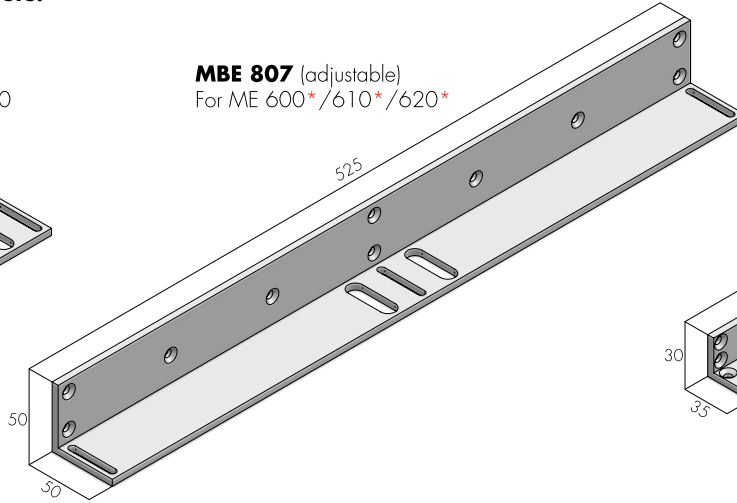
# BRACKETS FOR MINI ELECTROMAGNETIC LOCKS

## L For outward opening doors.

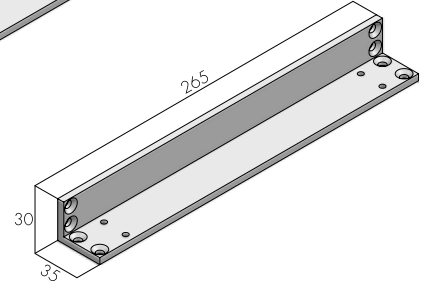
**MBE 806** (adjustable)  
For ME 400/410/420/500/510



**MBE 807** (adjustable)  
For ME 600\*/610\*/620\*

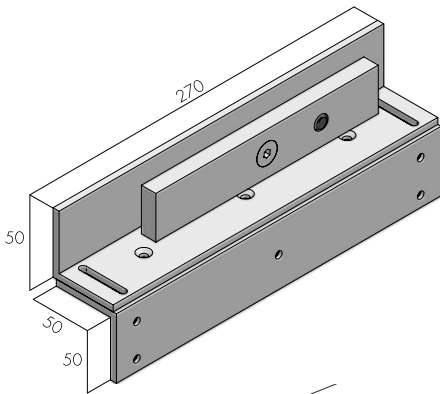


**MBE 808**  
For ME 500/510



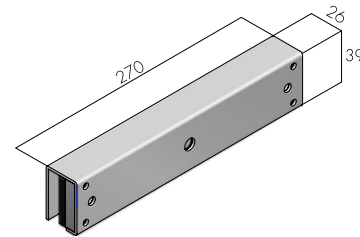
## Z For inward opening doors.

**MBA 801/802**  
For ME 400/410/420/500/510/600\*/610\*/620\*

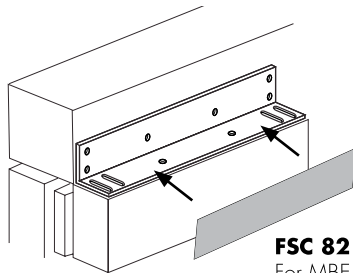


## U For glass doors.

**MHA 804**  
For ME 400/410/420/600\*/610\*/620\*

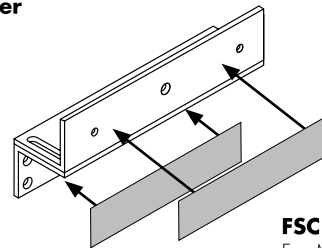


Glass thickness: 8 to 14 mm



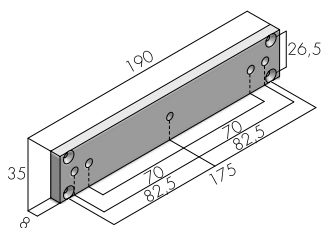
**FSC 821**  
For MBE 806/807

### Bracket cover



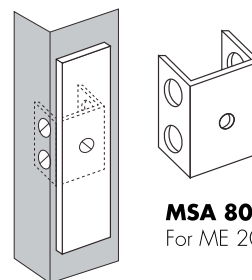
**FSC 822**  
For MBA 801/802

### Mounting kit for fire door



**MRF 810**  
For ME 400/410/420/600\*/610\*/620\*

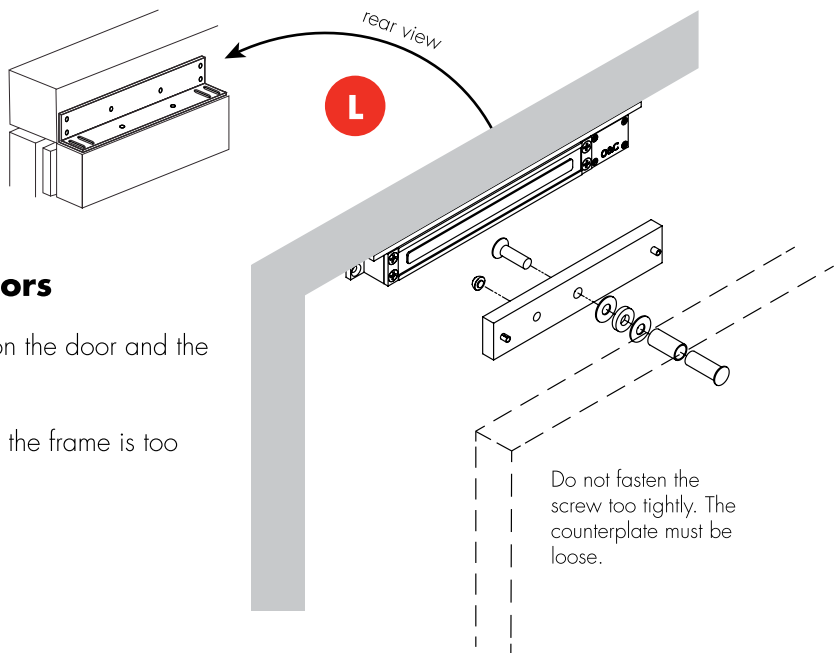
### Mounting kit for sliding doors



**MSA 803**  
For ME 200/201/210/211

\* Remember to order one unit for each electromagnetic lock!

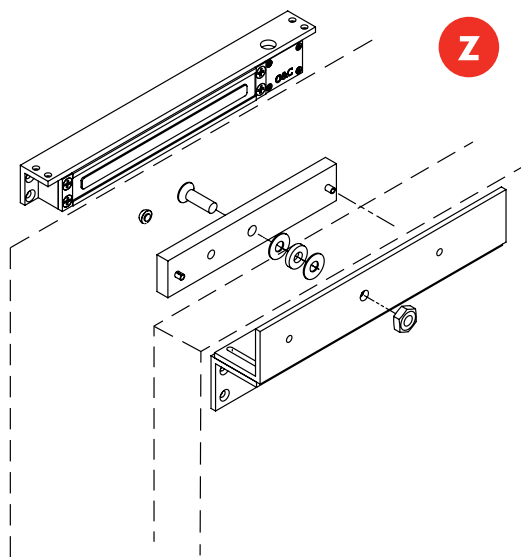
# MOST COMMON INSTALLATIONS



## For outward opening doors

The counterplate is installed directly on the door and the magnetic lock beneath the frame.

An "L" bracket may be needed when the frame is too narrow.



## For inward opening doors

The counterplate is installed on a "Z" bracket mounted on the interior door leaf directly to the door.

The electromagnetic lock has to be installed on the frame, on the opposite side of the hinges.

## For glass doors

The counterplate is installed directly on the door leaf. The electromagnetic lock has to be installed under the frame.

An "L" bracket may be needed when the frame is too narrow.

Please remember that the distance between the glass door and the frame needs to be at least 3 mm.

