

BASIC



Series MEX

Basic electromagnetic locks are the perfect locking solution for **emergency doors** and access control systems. In case of power failure, all doors will automatically open, making it safe for the occupants to exit.

They are available for mortise and rim installations with a wide range of brackets allowing an easy installation on any kind of doors and door frames.

Moreover, our vandal protection system secures the electromagnetic lock against tampering, theft or removal.

Our MEX 70 is especially designed for small applications such as closets, cabinets, showcases, drawers, lockers, etc.

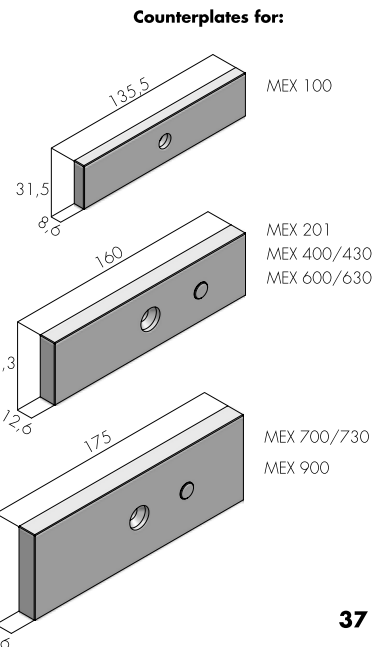
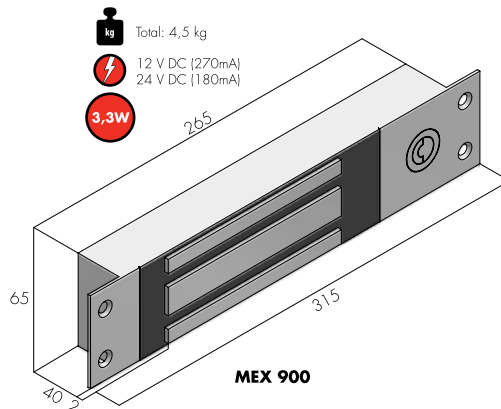
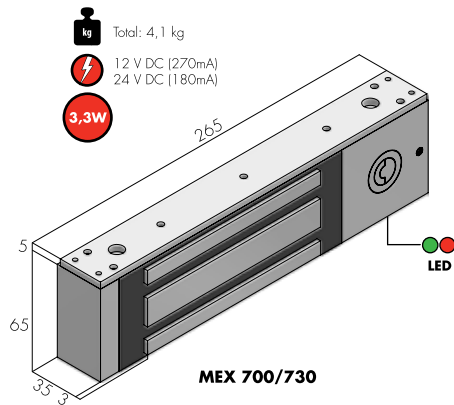
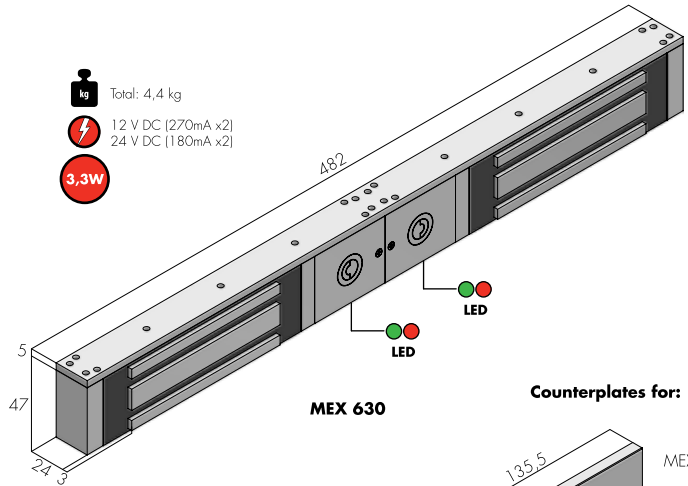
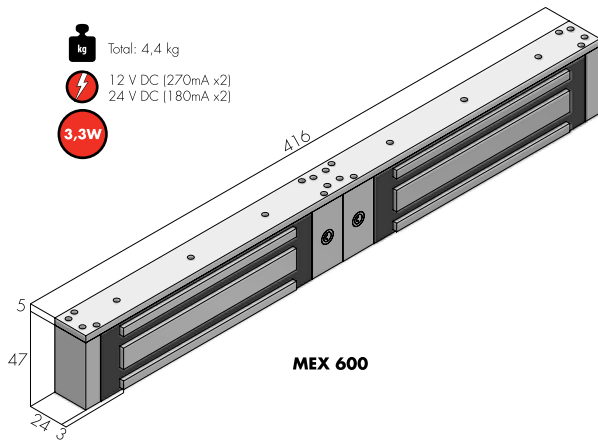
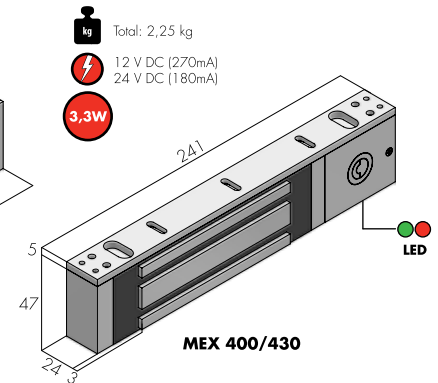
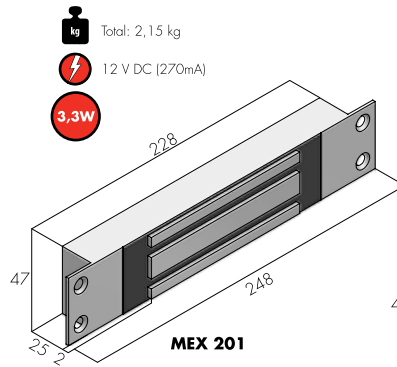
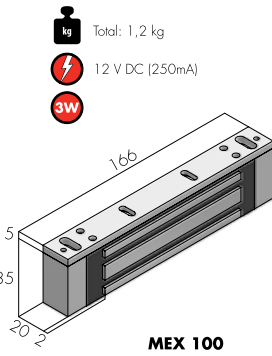
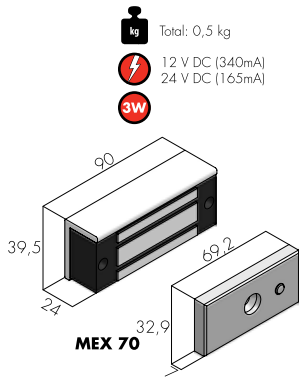
Technical features

- Dual voltage 12/24V DC (automatic switch on selected models)
- Reed + LED monitoring (open/closed)
- Low power consumption
- Electronic protection
- Vandal Protection
- Timer (2 to 8 seconds)
- Guaranteed 3 years

References and features

Holding force	12 Vdc	Manual Dual voltage 12/24 Vdc	Automatic Dual voltage 12/24 Vdc	Mortise Rim	Reed + Timer	LED	L	Z	U	Mounting kit for RF fire doors (optional) MRF 810	References
							Outward opening doors	Inward opening doors	Glass doors		
700 N		•		•	•			MBAX 70	MHAX 70		MEX 70
1.800 N	•			•	•		MBEX 180	MBAX 180	MHAX 180		MEX 100
3.000 N	•			•							MEX 201
3.000 N			•		•	•	MBEX 300	MBAX 300	MHAX 300	•	MEX 400
3.000 N			•		•	•	MBEX 300	MBAX 300	MHAX 300	•	MEX 430
3.000 N x2			•		•	•	MBEX 300*	MBAX 300*	MHAX 300*	•	MEX 600
3.000 N x2			•		•	•	MBEX 300*	MBAX 300*	MHAX 300*	•	MEX 630
6.500 N			•		•	•	MBEX 600	MBAX 600			MEX 700
6.500 N			•		•	•	MBEX 600	MBAX 600			MEX 730
6.500 N			•	•	•						MEX 900

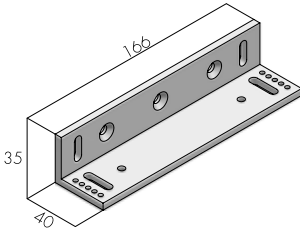
* Remember to order one unit for each electromagnetic lock!



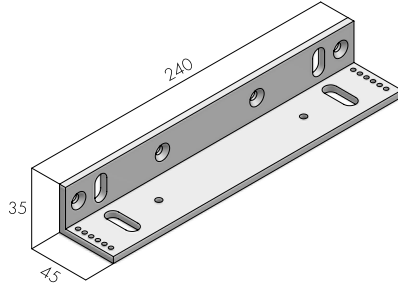
BRACKETS FOR BASIC ELECTROMAGNETIC LOCKS

L For outward opening doors.

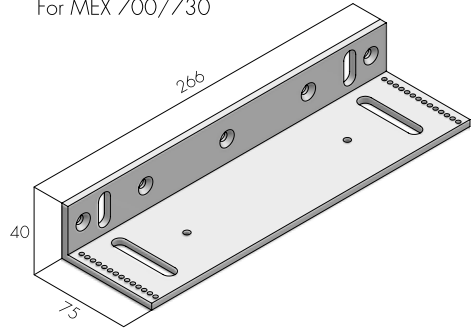
MBEX 180
For MEX 100



MBEX 300
For MEX 400/430/600*/630*

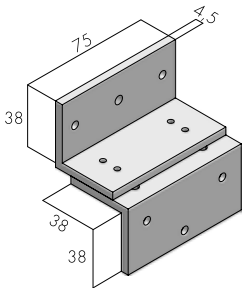


MBEX 600
For MEX 700/730

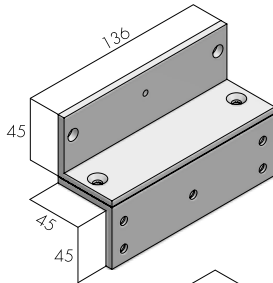


Z For inward opening doors.

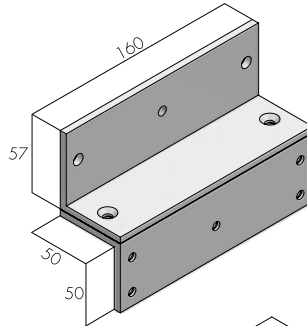
MBAX 70
For MEX 70



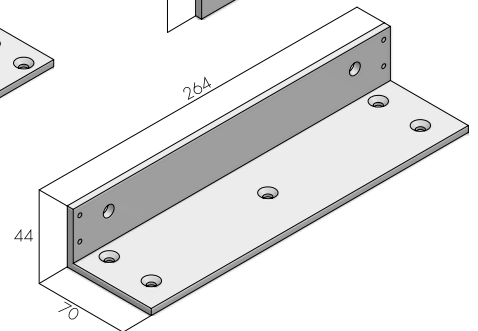
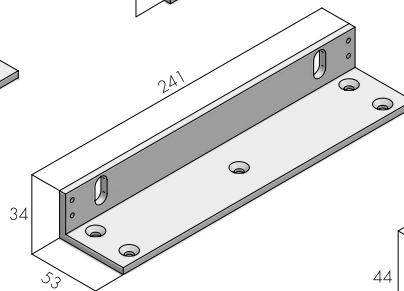
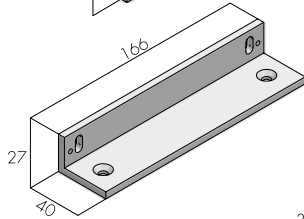
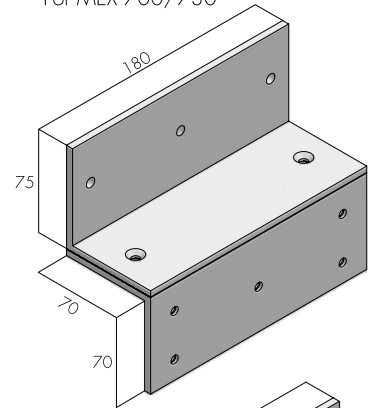
MBAX 180 (3 units)
For MEX 100



MBAX 300 (3 units)
For MEX 400/430/600*/630*

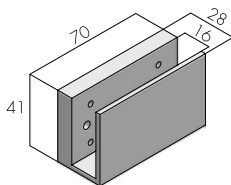


MBAX 600 (3 units)
For MEX 700/730

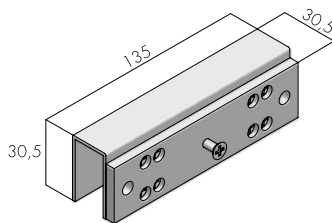


U For glass doors.

MHAX 70
For MEX 70

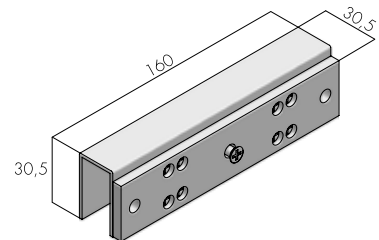


MHAX 180
For MEX 100



Max. glass thickness: 12 mm

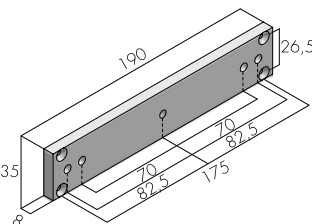
MHAX 300
For MEX 400/430/600*/630*



Max. glass thickness: 16 mm

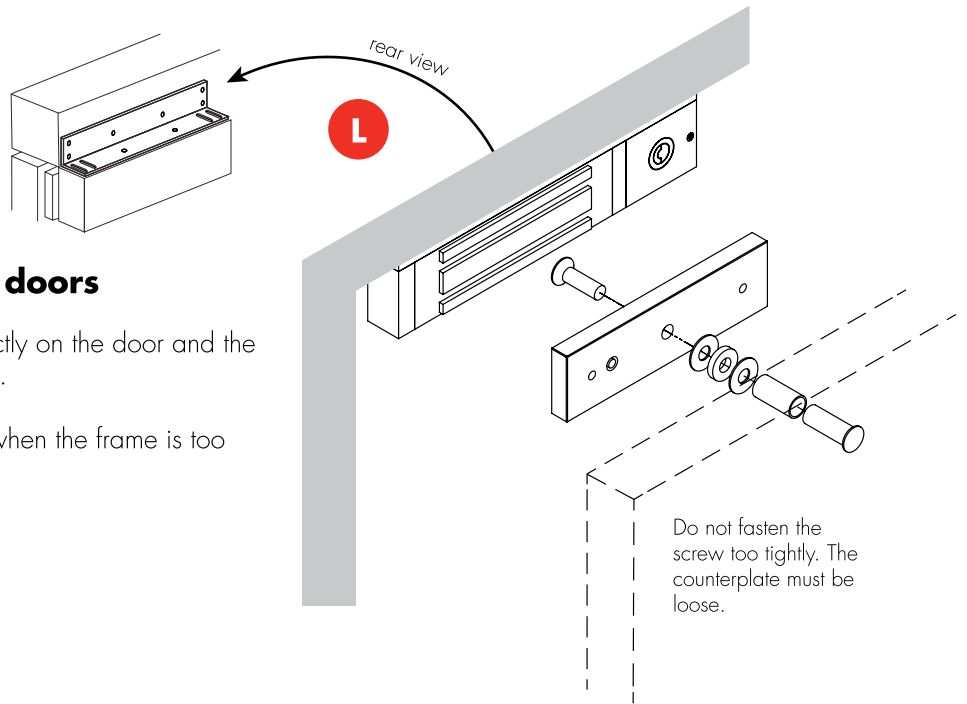
Mounting kit for fire doors

MRF 810
For MEX 400/430/600*/630*



* Remember to order one unit for each electromagnetic lock!

MOST COMMON INSTALLATIONS

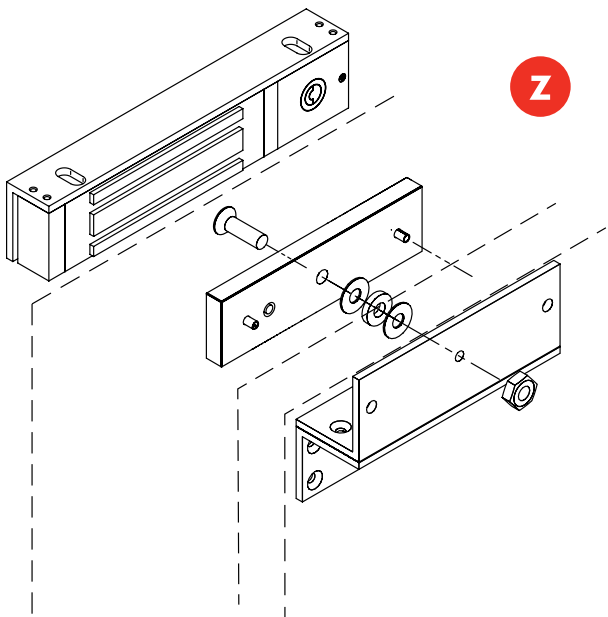


For outward opening doors

The counterplate is installed directly on the door and the magnetic lock beneath the frame.

An "L" bracket may be needed when the frame is too narrow.

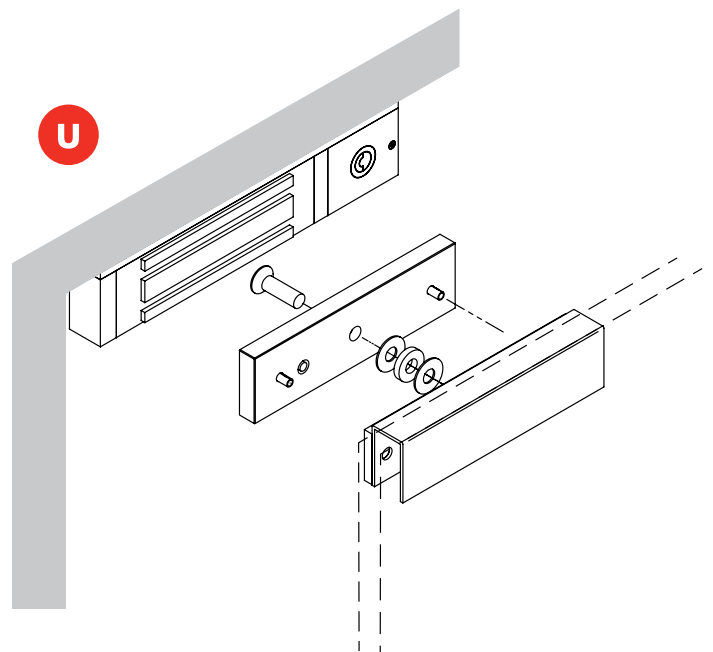
Do not fasten the screw too tightly. The counterplate must be loose.



For inward opening doors

The counterplate is installed on a "Z" bracket mounted on the interior door leaf directly to the door.

The electromagnetic lock has to be installed on the frame, on the opposite side of the hinges.



For glass doors

The counterplate is installed directly on the door leaf. The electromagnetic lock has to be installed under the frame.

An "L" bracket may be needed when the frame is too narrow.

Please remember that the distance between the glass door and the frame needs to be at least 3 mm.