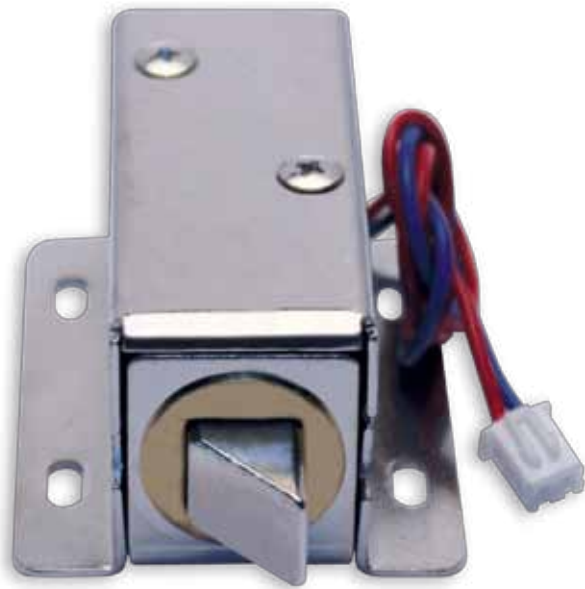


MINI ELECTRIC BOLT






Series PGX

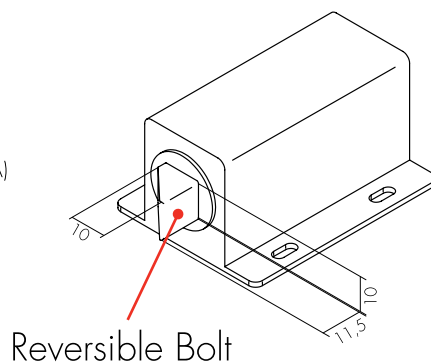
This small fail-secure lock has been especially designed for applications such as **lockers, closets, showcases, drawers**, etc.

It can be installed either rim or mortise and its latch is 360° reversible.

Operating temperature from -20 °C to +40 °C.

3 years guarantee.

-  0,130 kg
-  12 V DC (650mA)
-  7,8W



PGX 03

