



# SECURITY

## Series 4R & 4L

Security electric strikes are designed for doors connected to fire and **access control systems** or doors requiring a high level of security.

The zamak housing has been reinforced, in order to ensure higher resistance. The keeper is anchored through four support points.

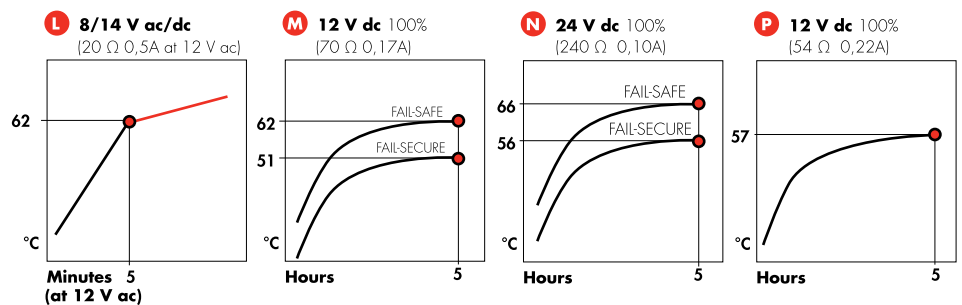
DC models are equipped with electronic protection in order to prevent damages to your access control system. This also represents an advantage for the installer as the connection is not polarized.

They are manufactured for both right and left opening doors featuring a wide variety of functions and voltages, these strikes quickly unlock standard doors through low power consumption.

## Technical features

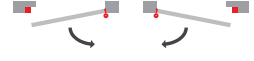
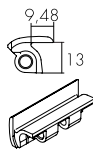
- Max. side-load on AC: 160 N  
Max. side-load on DC: 10 N
- Break-in resistance: 7.000 N
- Operating temperature range: -15 °C / +40 °C
- Housing: Reinforced Zamak  
Keeper: Steel
- Guaranteed 3 years.
- Complies with 2004/108/CE (EN 55014)
- Corrosion resistant according to UNI ISO 9227

## Coil features



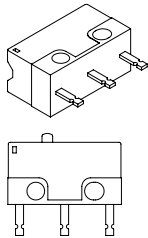
Personalized coils upon request

# References and features

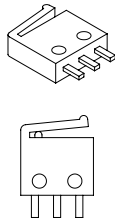


	Fixed keeper	Side-load	Electronic protection	Voltage	References DIN right add faceplate	References DIN left add faceplate
<b>Fail-secure</b>	●	●		8-14 V ac/dc	<b>4R0.4.00.L</b>	<b>4L0.4.00.L</b>
	●		●	12 V dc	<b>4R0.4.00.M</b>	<b>4L0.4.00.M</b>
	●		●	24 V dc	<b>4R0.4.00.N</b>	<b>4L0.4.00.N</b>
<b>Internal Hold-open</b>	●	●		9-14 V ac/dc	<b>4R2A.4.00.L</b>	<b>4L2A.4.00.L</b>
<b>Fail-safe</b>	●		●	12 V dc	<b>4R4.4.00.M</b>	<b>4L4.4.00.M</b>
	●		●	24 V dc	<b>4R4.4.00.N</b>	<b>4L4.4.00.N</b>
<b>Fail-secure with monitoring</b>	●	●		8-14 V ac/dc	<b>4R6.4.00.L</b>	<b>4L6.4.00.L</b>
	●		●	12 V dc	<b>4R6.4.00.M</b>	<b>4L6.4.00.M</b>
	●		●	24 V dc	<b>4R6.4.00.N</b>	<b>4L6.4.00.N</b>
<b>Fail-secure with double monitoring</b>	●		●	12 V dc		<b>47.4.00.P</b>
	●		●	24 V dc		<b>47.4.00.N</b>
<b>Fail-safe with monitoring</b>	●		●	12 V dc	<b>4R8.4.00.M</b>	<b>4L8.4.00.M</b>
	●		●	24 V dc	<b>4R8.4.00.N</b>	<b>4L8.4.00.N</b>
<b>Fail-safe with double monitoring</b>	●		●	12 V dc		<b>49.4.00.P</b>
	●		●	24 V dc		<b>49.4.00.N</b>

### Monitoring features:



Microswitch S1



Microswitch S2

	Microswitch S1	Microswitch S2
<b>Intensity</b>	1A/125V AC 0,5A/30V DC	0,5A/30V DC
<b>Operating Speed</b>	1 at 500 mm/second (at pin plunger)	1 at 500 mm/second (at pin plunger)
<b>Operating Frequency</b>	Mechanical: 200 operations per minute Electrical: 30 operations per minute	Mechanical: 200 operations per minute Electrical: 30 operations per minute
<b>Contact Resistance</b>	50 mΩ maximum	30 mΩ maximum
<b>Insulation Resistance</b>	100 MΩ minimum (at 500V DC)	100 MΩ minimum (at 500V DC)
<b>Ambient Temperature</b>	From -25°C to 65°C (without ice)	From -25°C to 70°C (without ice)
<b>Humidity</b>	85% RH maximum [5° to 35°C]	85% RH maximum [5° to 35°C]
<b>Protection degree</b>		IP 40
<b>Life Expectancy*</b>	Mechanical: 300.000 operations minimum Electrical: 30.000 operations minimum	Mechanical: 30.000 operations minimum Electrical: 30.000 operations minimum

\*at maximum power conditions

## Recommended Faceplates

### SHORT

- 61 Inox
- 66 Inox

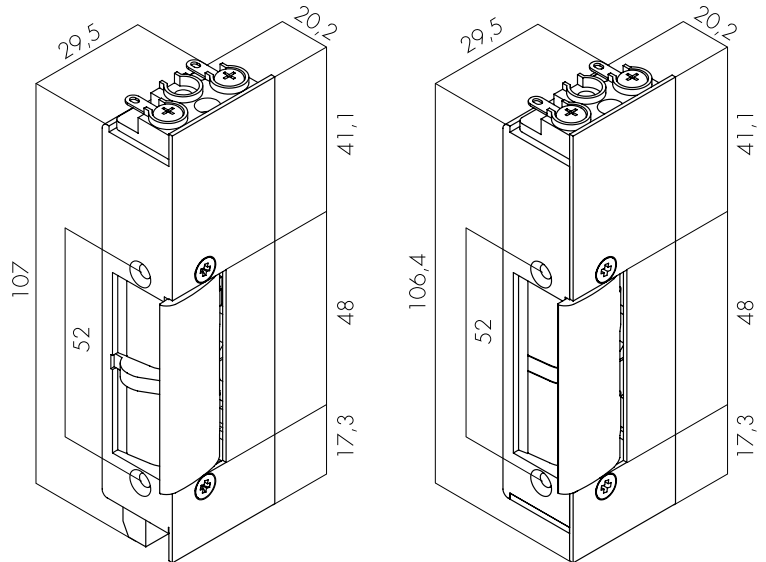
### LONG

- 43 Inox
- 67 Inox
- 71 Inox

### ANGLED

- 16 Brown
- 17 Brown
- 45 Brown
- 48 Brown
- 49 Inox
- 50 Inox

## Dimensions



with double monitoring