



MINI

Series 5

This 100% reversible electric strike - **only 16 mm wide** - is one of the smallest on the market and the perfect match for narrow profiles such as aluminum, wood and PVC. Through its small size and high resistance it can fit any lock.

The radial keeper rotates inside the mechanism box of the electric strike, so the installer does not have to cut the door frame to make it fit.

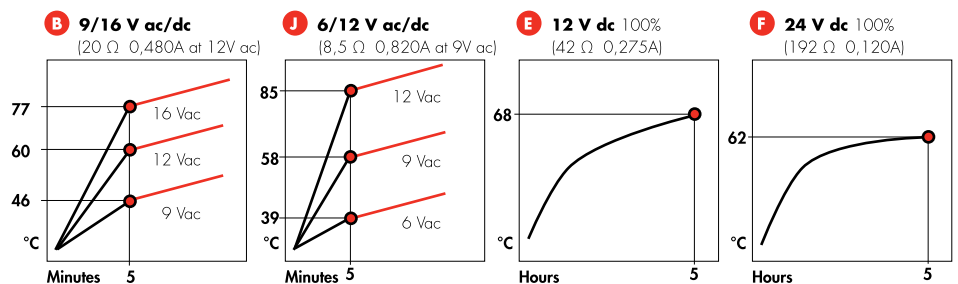
All models are equipped with electronic protection to prevent damage to the access control system they are connected to. This also represents an advantage for the installer as the connection is not polarized.

Featuring a wide variety of functions and voltages, these strikes quickly unlock standard doors through low power consumption.

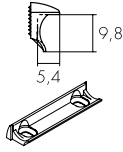
Technical features

- Max. side-load on AC: 160 N
Max. side-load on DC: 10 N
- Break-in resistance: 4.000 N
- Operating temperature range: -15 °C /+40 °C
- Housing: Zamak
Keeper: Zamak
- New hold-open system
- Guaranteed 3 years
- Complies with 2004/108/CE (EN 55014)
- Corrosion resistant according to UNI ISO 9227

Coil features



Personalized coils upon request



References and features

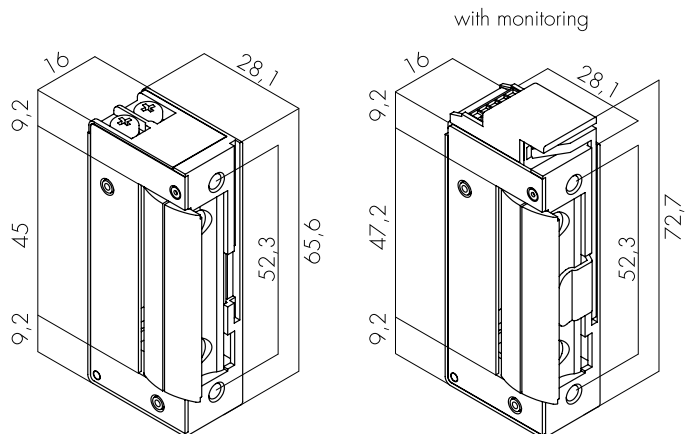
		Radial adjustable keeper	Reversible	Side-load	Electronic protection	Voltage	References <small>add faceplate</small>
	Fail-secure	●	●	●	●	9-16 V ac/dc	50.1.00.B
		●	●	●	●	6-12 V ac/dc	50.1.00.J
		●	●	●	●	12 V dc	50.1.00.E
		●	●	●	●	24 V dc	50.1.00.F
	Fail-secure with mechanical unlocking	●	●	●	●	9-16 V ac/dc	51.1.00.B
		●	●	●	●	6-12 V ac/dc	51.1.00.J
		●	●	●	●	12 V dc	51.1.00.E
	Hold-open	●	●	●	●	9-16 V ac/dc	52.1.00.B
		●	●	●	●	6-12 V ac/dc	52.1.00.J
	Hold-open with mechanical unlocking	●	●	●	●	9-16 V ac/dc	53.1.00.B
		●	●	●	●	6-12 V ac/dc	53.1.00.J
	Fail-safe	●	●	●	●	12 V dc	54.1.00.E
		●	●	●	●	24 V dc	54.1.00.F
	Fail-secure with monitoring	●	●	●	●	9-16 V ac/dc	56.1.00.B
		●	●	●	●	6-12 V ac/dc	56.1.00.J
		●	●	●	●	12 V dc	56.1.00.E
		●	●	●	●	24 V dc	56.1.00.F
	Fail-safe with monitoring	●	●	●	●	12 V dc	58.1.00.E
		●	●	●	●	24 V dc	58.1.00.F
Monitoring features:		Intensity		1A/125V AC 0,5A/30V DC			
		Operating Speed		1 at 500 mm/second (at pin plunger)			
Microswitch S1		Operating Frequency		Mechanical: 200 operations per minute Electrical: 30 operations per minute			
		Contact Resistance		50 mΩ maximum			
		Insulation Resistance		100 MΩ minimum (at 500V DC)			
		Ambient Temperature		From -25°C to 65°C (without ice)			
		Humidity		85% RH maximum (5° to 35°C)			
		Life Expectancy*		Mechanical: 300.000 operations minimum Electrical: 30.000 operations minimum			

*at maximum power conditions

Recommended Faceplates

SHORT	LONG	ANGLED
27 Inox	22 Inox	24 Inox
28 Inox	23 Inox	25 Inox
	26 Inox	
	29 Inox	
	30 Inox	

Dimensions



Keeper's adjustability: 2 mm