



# HIGH-SECURITY

## Series 25

High-security electric strikes are considered one of the smallest and still **strongest strikes on the market**, the perfect solution for installations where high-performances are required.

They are 100% reversible and feature an adjustable keeper. The radial keeper rotates inside the mechanism box of the electric strike, so the installer does not have to cut the door frame to make it fit.

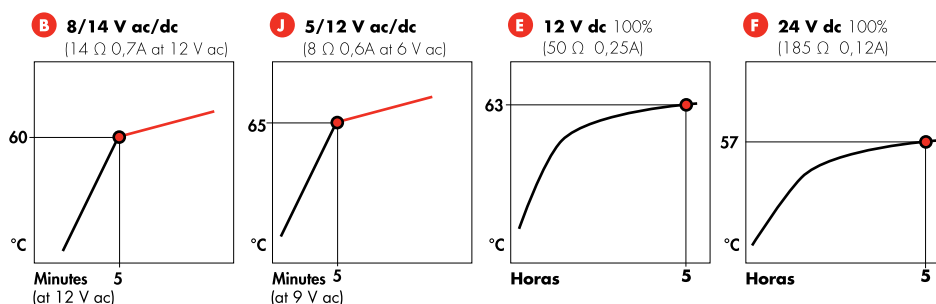
**All models are equipped with electronic protection** to prevent damage to the access control system they are connected to. This also represents an advantage for the installer as the connection is not polarized.

Featuring a wide variety of functions and voltages, these strikes quickly unlock standard doors through low power consumption.

## Technical features

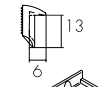
- Max. side-load on AC: 160 N  
Max. side-load on DC: 10 N
- Break-in resistance: 10.000 N
- Operating temperature range: -15 °C /+40 °C
- Housing: Steel  
Keeper: Stainless Steel
- New hold-open system
- Guaranteed 3 years
- Complies with 2004/108/CE (EN 55014)
- Corrosion resistant according to UNI ISO 9227

## Coil features



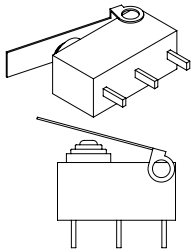
**Personalized coils upon request**

## References and features



		Radial adjustable keeper	Reversible	Side-load	Electronic protection	Voltage	References add faceplate
	<b>Fail-secure</b>	●	●	●	●	8-14 V ac/dc	<b>250.1.00.B</b>
		●	●	●	●	5-12 V ac/dc	<b>250.1.00.J</b>
		●	●		●	12 V dc	<b>250.1.00.E</b>
		●	●		●	24 V dc	<b>250.1.00.F</b>
	<b>Hold-open</b>	●	●	●	●	8-14 V ac/dc	<b>252.1.00.B</b>
		●	●	●	●	5-12 V ac/dc	<b>252.1.00.J</b>
	<b>Fail-safe</b>	●	●		●	12 V dc	<b>254.1.00.E</b>
		●	●		●	24 V dc	<b>254.1.00.F</b>
	<b>Fail-secure with monitoring</b>	●	●	●	●	8-14 V ac/dc	<b>256.1.00.B</b>
		●	●	●	●	5-12 V ac/dc	<b>256.1.00.J</b>
		●	●		●	12 V dc	<b>256.1.00.E</b>
		●	●		●	24 V dc	<b>256.1.00.F</b>
	<b>Fail-safe with monitoring</b>	●	●		●	12 V dc	<b>258.1.00.E</b>
		●	●		●	24 V dc	<b>258.1.00.F</b>

### Monitoring features:



Microswitch S3

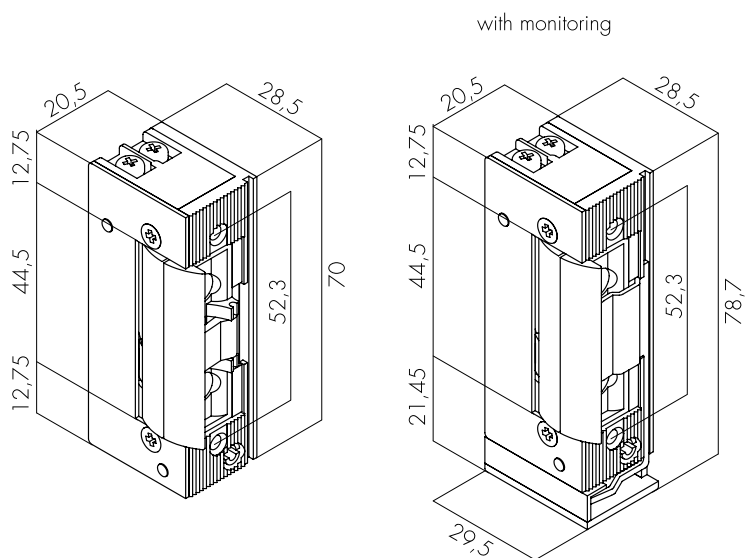
<b>Intensity</b>	0,1A/125V AC 2A/12V DC
<b>Operating Speed</b>	1 at 500 mm/second (at pin plunger)
<b>Operating Frequency</b>	Electrical: 30 operations per minute
<b>Contact Resistance</b>	100 mΩ maximum
<b>Insulation Resistance</b>	100 MΩ minimum (at 500V DC)
<b>Ambient Temperature</b>	From -40°C to 85°C (without ice)
<b>Humidity</b>	95% RH maximum (5° to 35°C)
<b>Protection degree</b>	IEC IP 67 (excluding the terminal)
<b>Life Expectancy*</b>	Mechanical: 1.000.000 operations minimum (30 operations per minute) Electrical: 100.000 operations minimum (20 operations per minute)

\*at maximum power conditions

## Recommended Faceplates

SHORT	LONG	ANGLED
61 Inox	43 Inox	16 Brown
66 Inox	63 Inox	17 Brown
92 Inox	67 Inox	45 Brown
	71 Inox	48 Brown
	C63 Inox	49 Inox
		50 Inox

## Dimensions



Keeper's adjustability: 3 mm